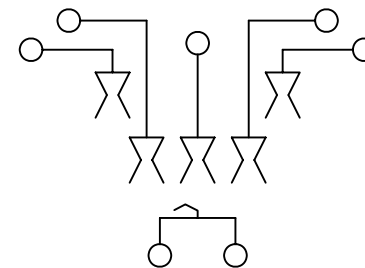
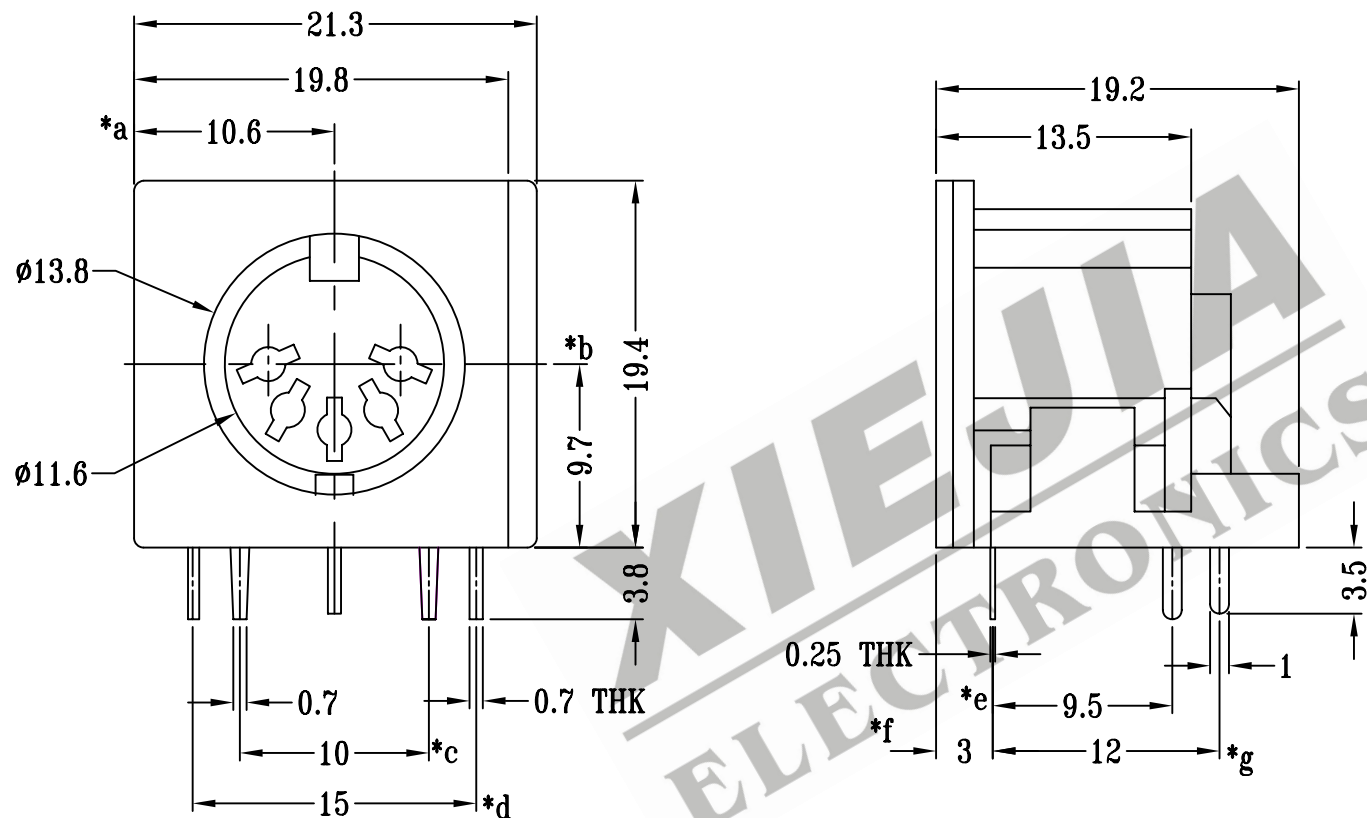
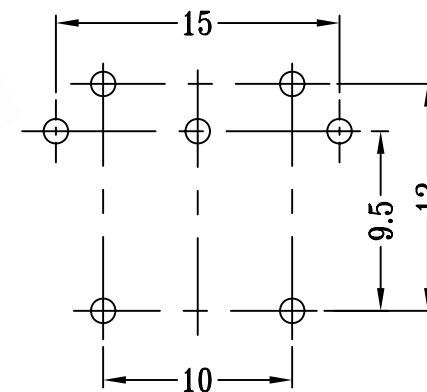


CAD FILE :



**SCHEMATIC**



**P.C.B LAYOUT**

注：“\*”表示关键尺寸（7个）

NO.	PART NAME	MATERIAL	QTY.	FINISHING	TOLERANCE UNLESS SPECIFIED				SHENZHEN XIEJIA ELECTRONICS CO.,LTD.			
8					WITHIN: 1.5±0.1mm OVER : 1.5±0.2mm				ISSUE      DATE      DESCRIPTIONS      APPD			
7												
6	TERMINAL C	BRASS STRIP	1	Ag PLATED OVER Ni PLATED	TITLE : DS TERMINAL      UNIT : M M      DRWG NO : XJ-DR-RS105-00				DWN.      ZHOUYU      2003-8-1			
5	TERMINAL B	BRASS STRIP	2	Ag PLATED OVER Ni PLATED								
4	CASE	ABS	1	WHITE	MODEL: CS-105      SCALE : 5 : 2				CHK'D      FANGYING      2003-8-1			
3	SPRING TERMINAL	PBS STRIP	1	Ag PLATED OVER Ni PLATED								
2	TERMINAL A	BRASS STRIP	2	Ag PLATED OVER Ni PLATED	ALL MATERIALS MUST BE COMPLIANT TO ROHS				APPD.      KANGXINAN      2003-8-1			
1	SLIDER	ABS	1	BLACK								